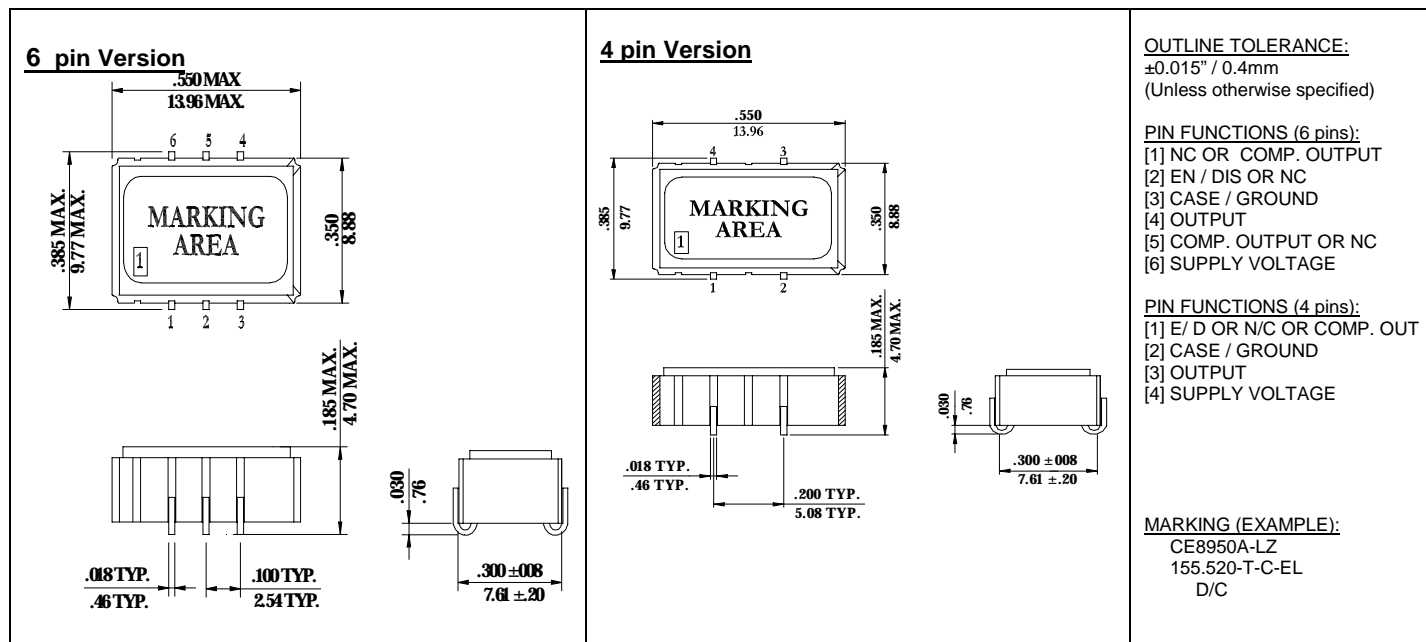


**PECL, 9x14, J-LEAD, CLOCK
(SEE PAGE TWO FOR PART NUMBERING SCHEME)**

RoHS COMPLIANT / LEAD FREE

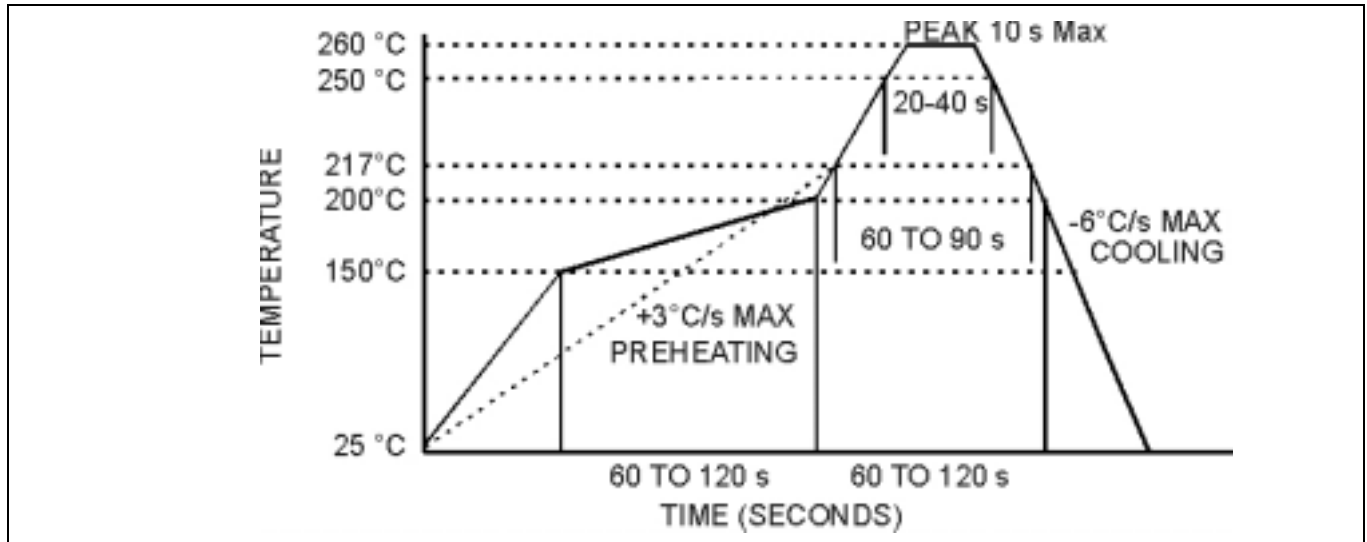
■ **MECHANICAL SPECIFICATION**



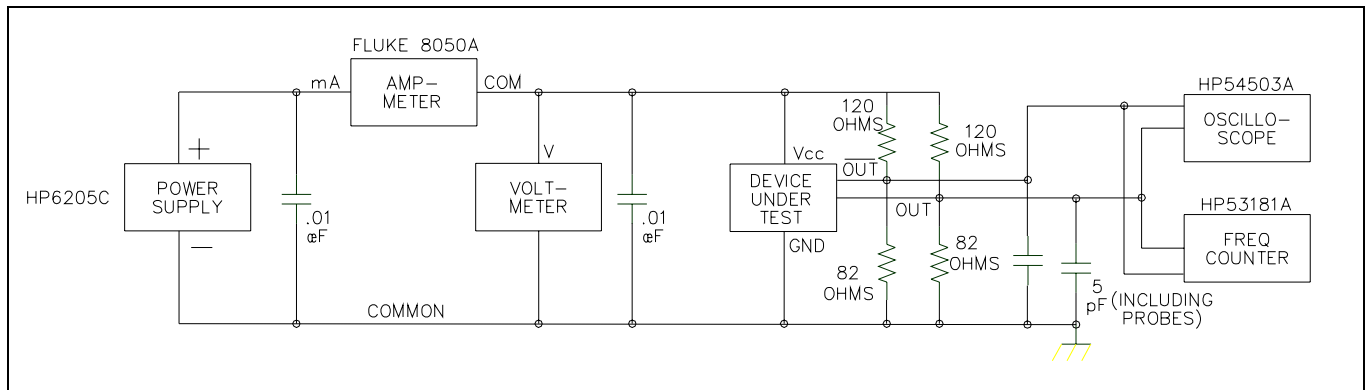
■ **ELECTRICAL SPECIFICATION**

PARAMETER	SYMBOL	CONDITIONS	VALUE	UNIT
Frequency, nom	fo	-	70.000~250.0	MHz
Supply voltage, nom.	Vcc	Vcc±5%	3.3VDC 5.0VDC	V
Supply current, max. (excluding load)	Is	Vcc=+3.3VDC/+5.0VDC Ta=+25°C, 50Ω to Vcc-2.0VDC load	100	mA
PECL output level	VOH / VOL	Vcc=+3.3VDC/+5.0VDC load=50Ω to Vcc-2.0VDC	2.275 / 1.68 3.975/3.38	V
Duty cycle	DC	load=50Ω to Vcc-2.0VDC / @50%Vcc, Ta=+25°C	40...60 OR 45...55	%
Rise- / fall time, max.	tr / tf	20%~80% Vout, 80%~20% Vout, max	0.100...1.0 (see note A)	ns
Jitter, rms, max.	J	1σ, Fj=12KHz...20MHz	1.0	ps
Overall freq. stability, max.	Δf/fc	Including operating temperature, ±5% load & supply variations, calibration @+25°C, and 10 year aging	SEE PART NUMBER GENERATION TABLE	ppm
Enable option	En	Pin 2=Low, Vcc-1.620 (max.)	Enabled	-
Disable option	Dis	Pin 2=High, Vcc-1.025 (min.)	Pin 4 will assume a fixed level of logic "0", and pin 5 will assume a fixed level of logic "1"	-
Operating temperature range	Ta	-	SEE PART NUMBER GENERATION TABLE	°C
Storage temperature range	T(stg)	-	-55...+90	°C
Absolute voltage range	Vcc(abs)	Non-destructive, DC	-0.5...+7.0	V

NOTE A: RISE AND FALL TIME VALUES (tr/tf) ARE FREQUENCY DEPENDENT.



■ ELECTRICAL TEST DIAGRAM FOR 3.3V PECL CLOCK WITH COMP. OUTPUT



■ PART NUMBER GENERATION

SERIES	OVERALL STABILITY	REV	TEMP. RANGE (°C)	FREQUENCY (MHz)	OPTIONS	SUFFIX	PIN SUFIX OPTION
CO88: 5.0V PECL, NO EN/DIS CO89: 3.3V PECL, NO EN/DIS CE88: 5.0V PECL, EN/DIS CE89: 3.3V PECL, EN/DIS	50: ±50ppm 00: ±100ppm	A	LV: 0...+50 LZ: 0...+70 HZ: -20...+70 D3: -40...+85	70.000...250.0	T: 45...55 DUTY C: COMP. OUTPUT C1: COMP. OUTPUT PIN 1 (See Note 3)	EL (See note 2)	4: 4 PINS

NOTE:

1. Variations from standard specification are available, please contact factory.
2. EL is added at the end of the part number for all PECL clocks with enable/disable option.
3. C1 suffix to be applied only when using the 6 pins package version

PART NUMBER EXAMPLE: CE8950A-LZ-155.520-T-C-EL